

Powerful. Beautiful.

Excellence · Innovation

IPC57150

IPC58150

IPC59150



*front-screen button: the right side. widescreen button: the lower side

15" XGA Industrial Arm-Mounted Operation Panel PC

IPC57150 & IPC58150 & IPC59150

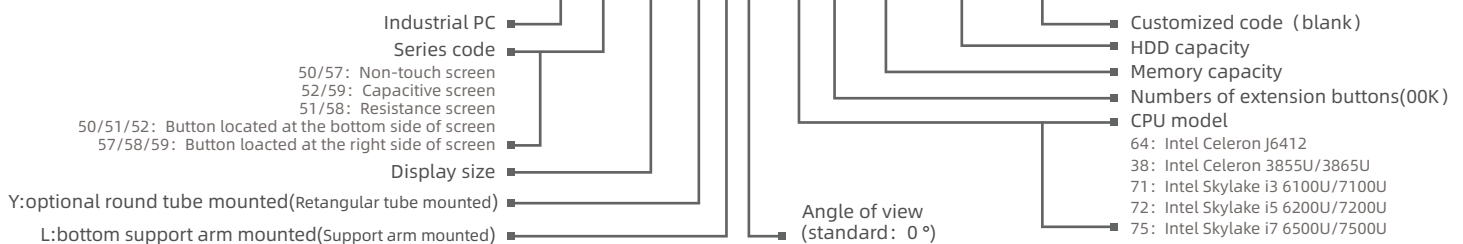


Features

- Display type: 15", 15.6", 18.5", 19", 21.5"
- Front panel/back cover: Aluminium-magnesium alloy
- IP protection level: IP65
- Screen Type: Single point resistive touchscreen, Multi-point capacitive touchscreen, Non-touch screen
- OS: WinXP, Win7, Win10/Win11, WinCE, Linux
- Equipped with 2x Intel i210AT Gigabit network cards, 4x USB
- Processor: Intel Celeron J6412 (don't support Win XP, Win7) / 3855U / 3865U and Intel skylake i3/i5/i7 multiple CPU options
- DC 9~36V
- Extendable WIFI/4G

Namely Rule

IPC5XXXX Y L X -xxxK-4G-128G-xxxx

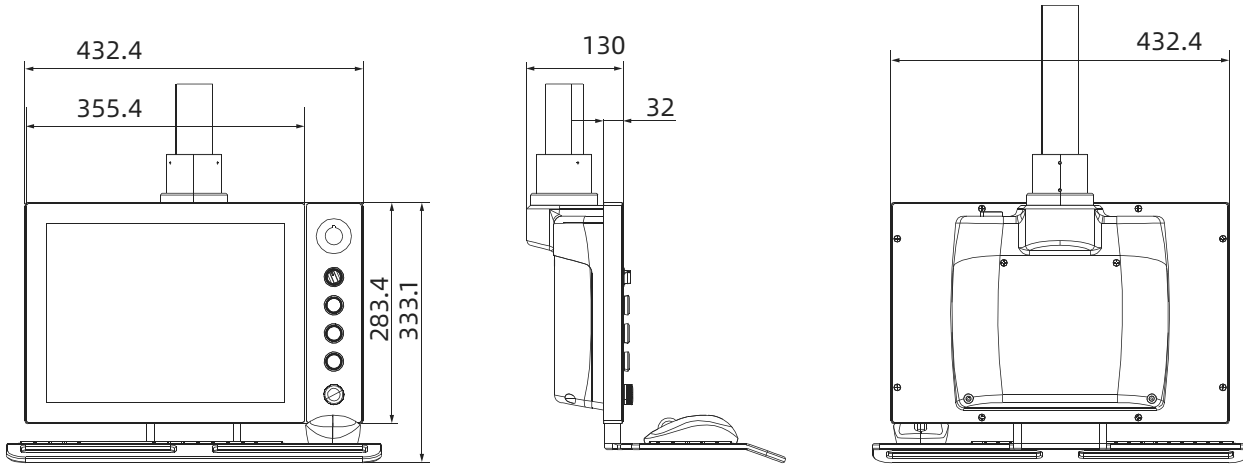


Specifications

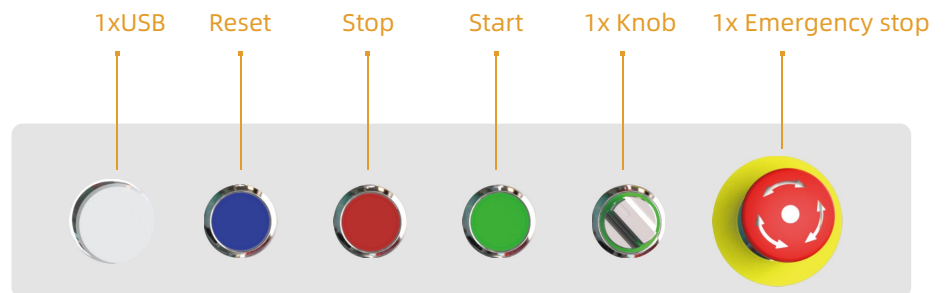
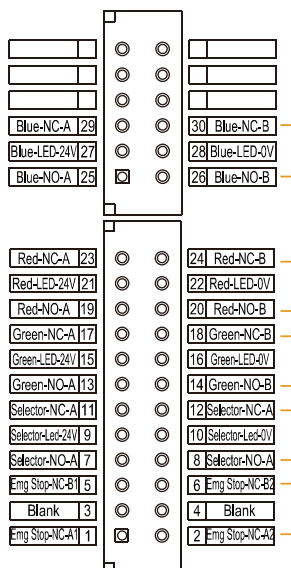
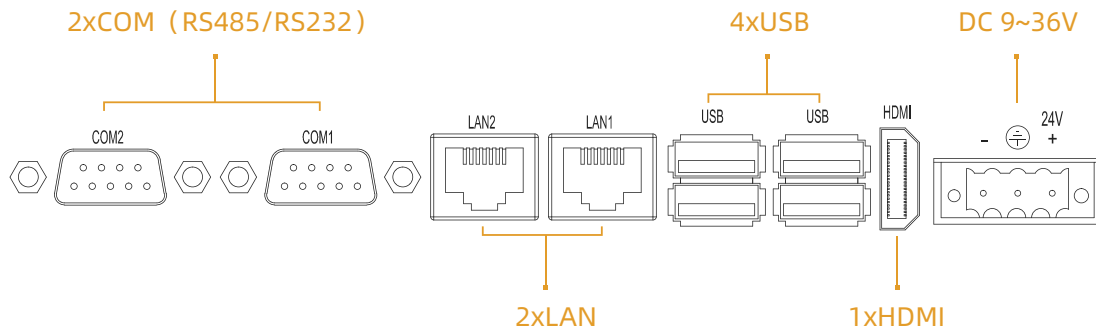
| Model | IPC57150&IPC58150&IPC59150 | | | | | |
|------------------------|----------------------------|--|-------------------------------------|-------------------------|-------------------------|-------------------------|
| Processor | CPU | Intel®Celeron® processor J6412 | Intel®Celeron® processor 3855U/3865 | Intel®Core™i3 processor | Intel®Core™i5 processor | Intel®Core™i7 processor |
| | Frequency | Quad Core 2.0GHZ | Dual Core 1.6GHZ | Dual Core 2.3GHZ | Dual Core 2.8GHZ | Dual Core 3.1GHZ |
| | Cache | 1.5MB | 2MB | 3MB | 3MB | 4MB |
| | Memory | DDR4 3200MT/s Max: 32GB | DDR4-1866/2133 Max: 32GB | DDR4-2133 Max: 32GB | DDR4-2133 Max: 32GB | DDR4-2133 Max: 32GB |
| | Storage | 1x2.5" SATA 3.0 +1 x mSATA | | | | |
| I/O | Network (LAN) | 2x Intel i210 1000Mbps RJ45 with surge protection | | | | |
| | Audio | Realtek ALC662VD audio controller, support 5.1 channels | | | | |
| | USB | 4x USB3.0 | | | | |
| | COM | 2x RS232/RS485 with surge protection, RS485 support automatic flow control | | | | |
| | Expansion Slot | 1x Mini-PCIe X1, Support 4G LTE/WIFI/BT with Sim card slot | | | | |
| Power | Rear I/O | 1x HDMI/2x GLAN/4x USB/2x COM/AUDIO/DC IN/Power Switch | | | | |
| | Input Voltage | DC 9~36V | | | | |
| Physical | Power | 36W | | | | |
| | Display Port | HDMI | | | | |
| | Dimension (WxHxD) | (Keyboard bay not included) 432.4mm x 283.4mm x 130mm (17.02" x 11.16" x 5.12") | | | | |
| | Net Weight(kg) | (Keyboard bay not included) 10kg | | | | |
| | Mounted | 4460 or 48 arm-mounted | | | | |
| LCD | Display Type | 15" XGA TFT | | | | |
| | Resolution | 1024x768 | | | | |
| | Colors | 16.7M | | | | |
| | Active Area (WxH/mm) | 304.1mm x 228.1mm (11.97" x 8.98") | | | | |
| | Backlight | LED | | | | |
| | MTBF (hour) | 50000hrs | | | | |
| | Pixel Pitch (HxV) | 0.297x0.297 | | | | |
| | Luminance(cd/m2) | 420cd/m2 | | | | |
| | Contrast Ratio | 800:1 | | | | |
| | Viewing Angle | (L) 80/ (R) 80/ (U) 80/ (D) 80 | | | | |
| Touchscreen | Touch Type | Single point resistive touchscreen & Multi-point capacitive touchscreen & Non-touch screen | | | | |
| | Light Transmission | >85% | | | | |
| | Controller | USB interface | | | | |
| | Driver Support | Windows7, WSE7, Windows 10, Vxworks, Linux | | | | |
| | Multi-touch | 10 points | | | | |
| Environment | Surface Hardness | Resistive touchscreen: Mohs' Number >= 3H; Capacitive touchscreen: Mohs' Number 7H | | | | |
| | Operating Temperature | -10~65°C | | | | |
| | Storage Temperature | -20~70°C | | | | |
| | Relative Humidity | 5~95% (Non condensation) | | | | |
| | Shock | Operating 10G peak acceleration (11 ms duration), follow IEC 60068-2-27 | | | | |
| | Vibration | Operating Random Vibration Test 5~500Hz, 1Grms@with HDD; 2Grms@with SSD, follow IEC 60068-2-64 | | | | |
| EMC | CE/FCC Class A | | | | | |
| Front Panel Protection | IP65 | | | | | |

IPC57150 & IPC58150 & IPC59150

Technical Drawings unit: mm



External I/O View



Note: The figure above shows the number of standard buttons. The number and brand of buttons can be customized.

Ordering Information

| Part Number | Description |
|------------------------|---|
| IPC57150-6405K-4G-128G | 15" TFT LCD / Non-touch screen / extend 5 buttons / DC9~36V input / Resolution 1024x768 / J6412 / 4G RAM / 128G / mSATA / 2xLAN / 4xUSB / 1xHDMI |
| IPC58150-6405K-4G-128G | 15" TFT LCD / Capacitive touch screen / extend 5 buttons / DC9~36V input / Resolution 1024x768 / J6412 / 4G RAM / 128G / mSATA / 2xLAN / 4xUSB / 1xHDMI |
| IPC59150-6405K-4G-128G | 15" TFT LCD / Resistive touch screen / extend 5 buttons / DC9~36V input / Resolution 1024x768 / J6412 / 4G RAM / 128G / mSATA / 2xLAN / 4xUSB / 1xHDMI |

Optional Accessories

| | |
|----------|-------------------------|
| mSATA | 128G / 256G / 512G / 1T |
| 2.5" HDD | 512G / 1T / 2T |
| RAM | 4G / 8G / 16G / 32G |

Packing List

| | |
|----------|-----------------|
| Terminal | 3-pin terminal |
| Terminal | 12-pin terminal |
| Terminal | 24-pin terminal |

Note: Package contents are subject to change without prior notice

Powerful. Beautiful.

Excellence · Innovation

IPC50156

IPC51156

IPC52156



*front-screen button: the right side. widescreen button: the lower side

Shanghai Panelmate Electronics Co., Ltd.

15.6" WXGA Industrial Arm-Mounted Operation Panel PC

IPC50156 & IPC51156 & IPC52156

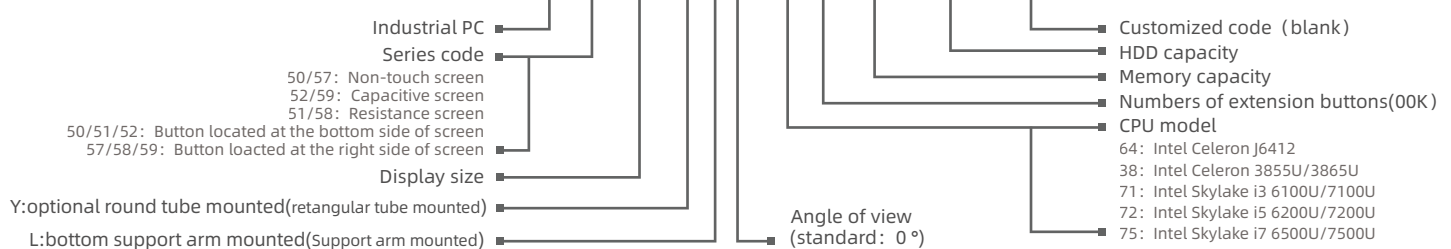


Features

- Display type: 15", 15.6", 18.5", 19", 21.5"
- Front panel/back cover: Aluminium-magnesium alloy
- IP protection level: IP65
- Screen Type: Single point resistive touchscreen, Multi-point capacitive touchscreen, Non-touch screen
- OS: WinXP, Win7, Win10/Win11, WinCE, Linux
- Equipped with 2xIntel i210AT Gigabit network cards, 4xUSB
- Processor: Intel Celeron J6412 (don't support Win XP, Win7) /3855U/3865U and Intel skylake i3/i5/i7 multiple CPU options
- DC 9~36V
- Extendable WIFI/4G

Namely Rule

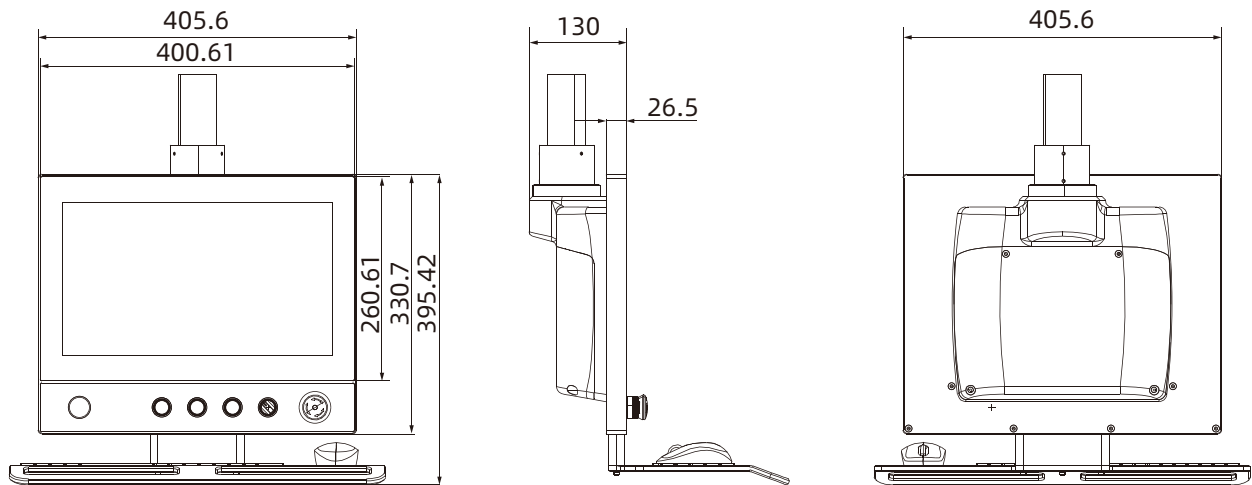
IPC5XXXX Y L X -xxxK-4G-128G-xxxx



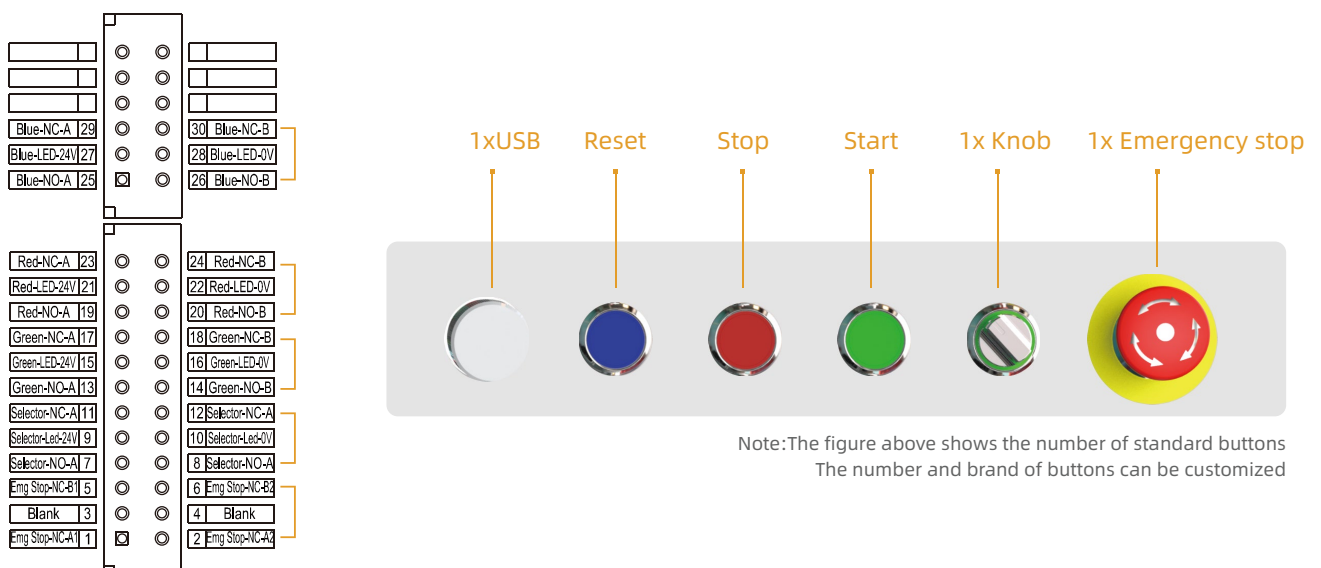
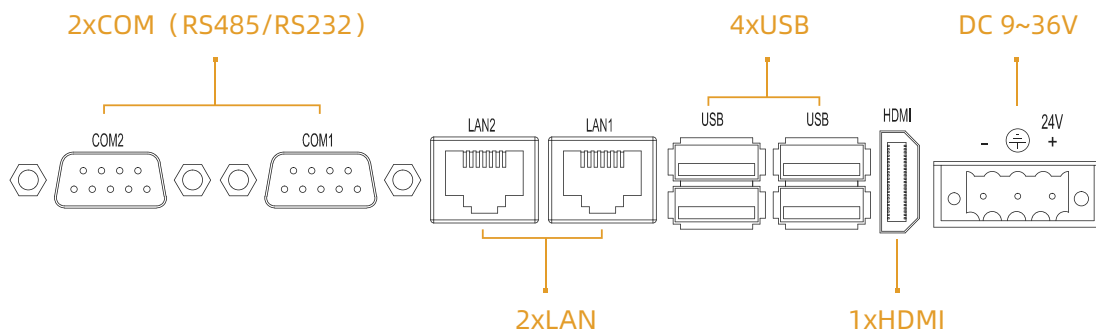
Specifications

| Model | IPC50156&IPC51156&IPC52156 | | | | | |
|------------------------|----------------------------|---|-------------------------------------|-------------------------|--------------------------|--------------------------|
| Processor | CPU | Intel®Celeron® processor J6412 | Intel®Celeron® processor 3855U/3865 | Intel®Core™i3 processor | Intel®Core™ i5 processor | Intel®Core™ i7 processor |
| | Frequency | Quad Core 2.0GHZ | Dual Core 1.6GHZ | Dual Core 2.3GHZ | Dual Core 2.8GHZ | Dual Core 3.1GHZ |
| | Cache | 1.5MB | 2MB | 3MB | 3MB | 4MB |
| | Memory | DDR4 3200MT/s Max: 32GB | DDR4-1866/2133 Max: 32GB | DDR4-2133 Max: 32GB | DDR4-2133 Max: 32GB | DDR4-2133 Max: 32GB |
| | Storage | 1x2.5" SATA 3.0 +1 x mSATA | | | | |
| I/O | Network (LAN) | 2xIntel i210 1000Mbps RJ45 with surge protection | | | | |
| | Audio | Realtek ALC662VD audio controller, support 5.1 channels | | | | |
| | USB | 4xUSB3.0/2.0 | | | | |
| | COM | 2xRS232/RS485 with surge protection, RS485 support automatic flow control | | | | |
| | Expansion Slot | 1xMin-Pcie X1, Support 4G LTE/WIFI/BT with Sim card slot | | | | |
| Power | Input Voltage | DC 9~36V | | | | |
| Power | 43W | | | | | |
| Physical | Display Port | HDMI | | | | |
| | Dimension (WxHxD) | (Keyboard bay not included) 405.6mm x 330.7mm x 130mm (15.97" x 13.02" x 5.12") | | | | |
| | Net Weight(kg) | (Keyboard bay not included) 10.1kg | | | | |
| | Mounted | 4460 or 48 arm-mounted | | | | |
| | LCD | Display Type | 15.6" WXGA TFT | | | |
| Resolution | | 1366x768 | | | | |
| Colors | | 16.7M | | | | |
| Active Area (WxH/mm) | | 344.23mmx193.54mm (13.55"x7.62") | | | | |
| Backlight | | LED | | | | |
| MTBF (hour) | | 50000hrs | | | | |
| Pixel Pitch (HxV) | | 0.252x0.252 | | | | |
| Luminance(cd/m2) | | 300cd/m2 | | | | |
| Contrast Ratio | | 3000:1 | | | | |
| Viewing Angle | | (L) 85/ (R) 85/ (U) 85/ (D) 85 | | | | |
| Touchscreen | Touch Type | Single point resistive touchscreen & Multi-point capacitive touchscreen & Non-touch screen | | | | |
| | Light Transmission | >85% | | | | |
| | Controller | USB interface | | | | |
| | Driver Support | Windows7, WSE7, Windows 10, Vxworks, Linux | | | | |
| | Multi-touch | 10 points | | | | |
| Environment | Surface Hardness | Resistive touchscreen: Mohs' Number>= 3H; Capacitive touchscreen: Mohs' Number 7H | | | | |
| | Operating Temperature | 0~60°C | | | | |
| | Storage Temperature | -20~60°C | | | | |
| | Relative Humidity | 5~95% (Non condensation) | | | | |
| | Shock | Operating 10G peak acceleration(11 ms duration), follow IEC 60068-2-27 | | | | |
| | Vibration | Operating Random Vibration Test 5~500Hz, 1Grms@with HDD;2Grms@with SSD, follow IEC 60068-2-64 | | | | |
| EMC | CE/FCC Class A | | | | | |
| Front Panel Protection | IP65 | | | | | |

Technical Drawings unit: mm



External I/O View



Note: The figure above shows the number of standard buttons. The number and brand of buttons can be customized.

Ordering Information

| Part Number | Description |
|------------------------|---|
| IPC50156-6405K-4G-128G | 15.6" TFT LCD / Non-touch screen / extend 5 buttons / DC9~36V input / Resolution 1366x768 / J6412 / 4G RAM / 128G / mSATA / 2xLAN / 4xUSB / 1xHDMI |
| IPC51156-6405K-4G-128G | 15.6" TFT LCD / Capacitive touch screen / extend 5 buttons / DC9~36V input / Resolution 1366x768 / J6412 / 4G RAM / 128G / mSATA / 2xLAN / 4xUSB / 1xHDMI |
| IPC52156-6405K-4G-128G | 15.6" TFT LCD / Resistive touch screen / extend 5 buttons / DC9~36V input / Resolution 1366x768 / J6412 / 4G RAM / 128G / mSATA / 2xLAN / 4xUSB / 1xHDMI |

Optional Accessories

| | |
|----------|-------------------------|
| mSATA | 128G / 256G / 512G / 1T |
| 2.5" HDD | 512G / 1T / 2T |
| RAM | 4G / 8G / 16G / 32G |

Packing List

| | |
|----------|-----------------|
| Terminal | 3-pin terminal |
| Terminal | 12-pin terminal |
| Terminal | 24-pin terminal |

Note: Package contents are subject to change without prior notice

Powerful. Beautiful.

Excellence · Innovation

IPC50185

IPC51185

IPC52185



*front-screen button: the right side. widescreen button: the lower side

Shanghai Panelmate Electronics Co., Ltd.

18.5" WXGA Industrial Arm-Mounted Operation Panel PC

PANELMATE
Creative HMI Solution

IPC50185 & IPC51185 & IPC52185

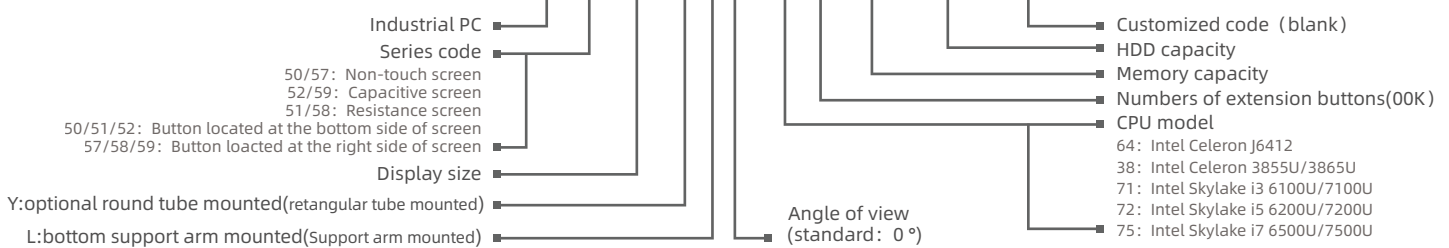


Features

- Display type: 15", 15.6", 18.5", 19", 21.5"
- Front panel/back cover: Aluminium-magnesium alloy
- IP protection level: IP65
- Screen Type: Single point resistive touchscreen, Multi-point capacitive touchscreen, Non-touch screen
- OS: WinXP, Win7, Win10/Win11, WinCE, Linux
- Equipped with 2xIntel i210AT Gigabit network cards, 4xUSB
- Processor: Intel Celeron J6412 (don't support Win XP, Win7) /3855U/3865U and Intel skylake i3/i5/i7 multiple CPU options
- DC 9~36V
- Extendable WIFI/4G

Namely Rule

IPC5XXXX Y L X -xxxK-4G-128G-xxxx



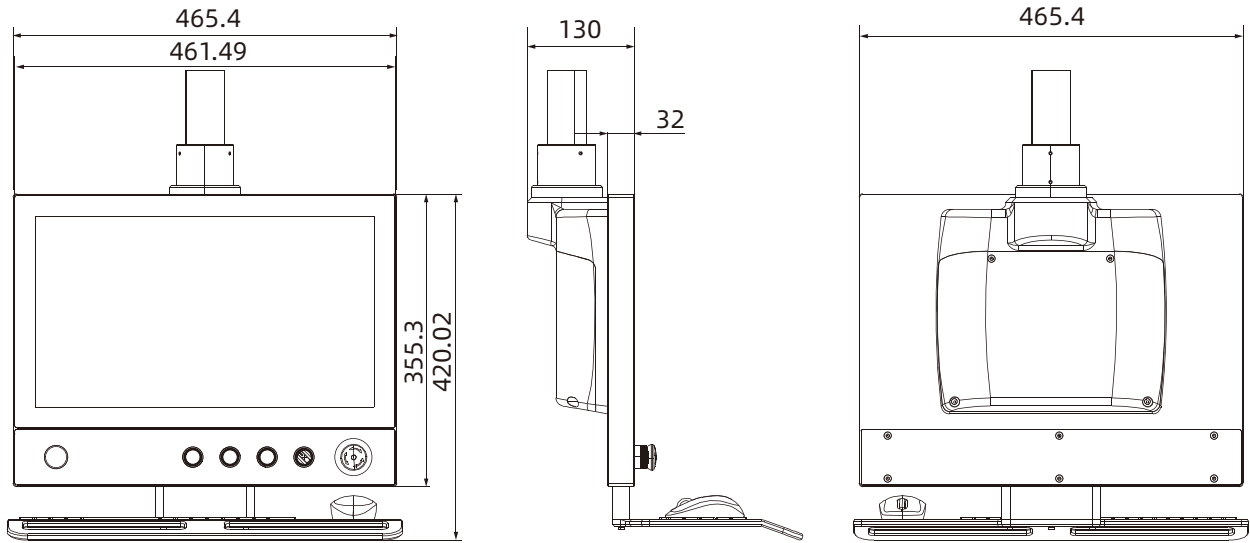
Specifications

| Model | IPC50185&IPC51185&IPC52185 | | | | | | |
|------------------------|--|---|-------------------------------------|-------------------------|-------------------------|-------------------------|--|
| Processor | CPU | Intel®Celeron® processor J6412 | Intel®Celeron® processor 3855U/3865 | Intel®Core™i3 processor | Intel®Core™i5 processor | Intel®Core™i7 processor | |
| | Frequency | Quad Core 2.0GHZ | Dual Core 1.6GHZ | Dual Core 2.3GHZ | Dual Core 2.8GHZ | Dual Core 3.1GHZ | |
| | Cache | 1.5MB | 2MB | 3MB | 3MB | 4MB | |
| | Memory | DDR4 3200MT/s Max: 32GB | DDR4-1866/2133 Max: 32GB | DDR4-2133 Max: 32GB | DDR4-2133 Max: 32GB | DDR4-2133 Max: 32GB | |
| | Storage | 1x2.5" SATA 3.0 +1 x mSATA | | | | | |
| I/O | Network (LAN) | 2xIntel i210 1000Mbps RJ45 with surge protection | | | | | |
| | Audio | Realtek ALC662VD audio controller, support 5.1 channels | | | | | |
| | USB | 4xUSB3.0/2.0 | | | | | |
| | COM | 2xRS232/RS485 with surge protection, RS485 support automatic flow control | | | | | |
| | Expansion Slot | 1xMin-Pcie X1, Support 4G LTE/WIFI/BT with Sim card slot | | | | | |
| Rear I/O | 1xHDMI/2xGLAN/4xUSB/2xCOM/AUDIO/DC IN/Power Switch | | | | | | |
| Power | Input Voltage | DC 9~36V | | | | | |
| | Power | 41W | | | | | |
| Physical | Display Port | HDMI | | | | | |
| | Dimension (WxHxD) | (Keyboard bay not included) 465.4mm x 355.3mm x 130mm (18.32" x 13.99" x 5.12") | | | | | |
| | Net Weight(kg) | (Keyboard bay not included) 12.5kg | | | | | |
| | Mounted | 4460 or 48 arm-mounted | | | | | |
| LCD | Display Type | 18.5" WXGA TFT | | | | | |
| | Resolution | 1366x768 | | | | | |
| | Colors | 16.7M | | | | | |
| | Active Area (WxH/mm) | 409.8mmx230.4mm (16.13"x9.07") | | | | | |
| | Backlight | LED | | | | | |
| | MTBF (hour) | 30000hrs | | | | | |
| | Pixel Pitch (HxV) | 0.3x0.3 | | | | | |
| | Luminance(cd/m2) | 500cd/m2 | | | | | |
| | Contrast Ratio | 1000:1 | | | | | |
| | Viewing Angle | (L) 89/ (R) 89/ (U) 89/ (D) 89 | | | | | |
| Touchscreen | Touch Type | Single point resistive touchscreen & Multi-point capacitive touchscreen & Non-touch screen | | | | | |
| | Light Transmission | >85% | | | | | |
| | Controller | USB interface | | | | | |
| | Driver Support | Windows7, WSE7, Windows 10, Vxworks, Linux | | | | | |
| | Multi-touch | 10 points | | | | | |
| Surface Hardness | Resistive touchscreen: Mohs' Number >= 3H; Capacitive touchscreen: Mohs' Number 7H | | | | | | |
| Environment | Operating Temperature | 0~50°C | | | | | |
| | Storage Temperature | -20~60°C | | | | | |
| | Relative Humidity | 5~95% (Non condensation) | | | | | |
| | Shock | Operating 10G peak acceleration(11 ms duration), follow IEC 60068-2-27 | | | | | |
| | Vibration | Operating Random Vibration Test 5~500Hz, 1Grms@with HDD;2Grms@with SSD, follow IEC 60068-2-64 | | | | | |
| | EMC | CE/FCC Class A | | | | | |
| Front Panel Protection | IP65 | | | | | | |

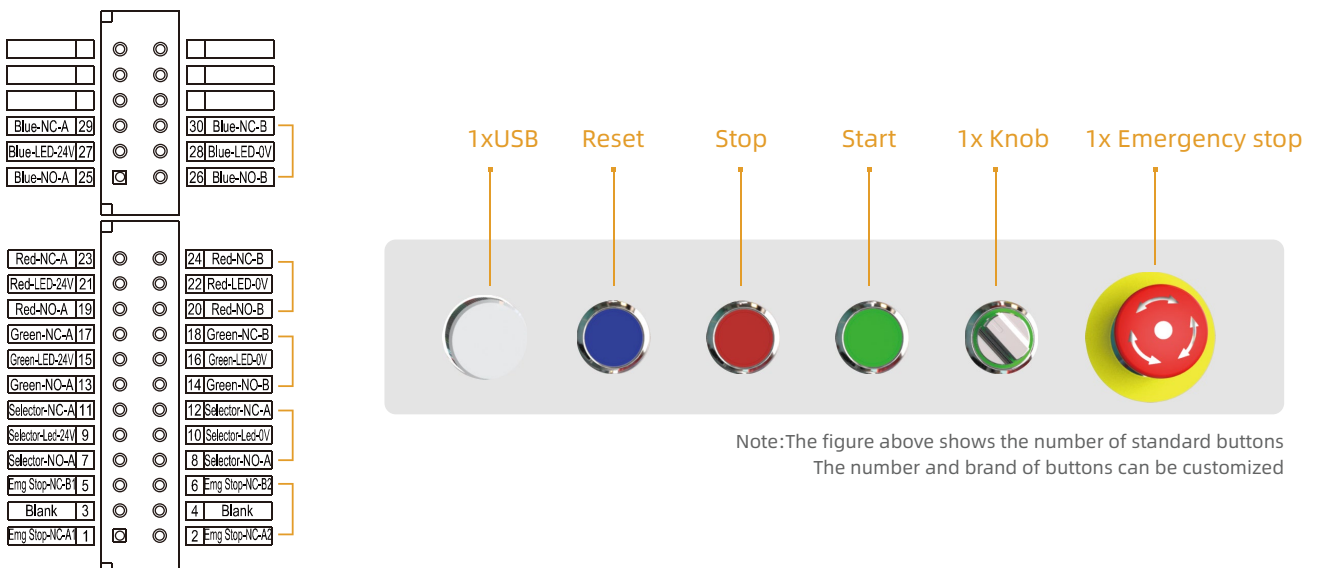
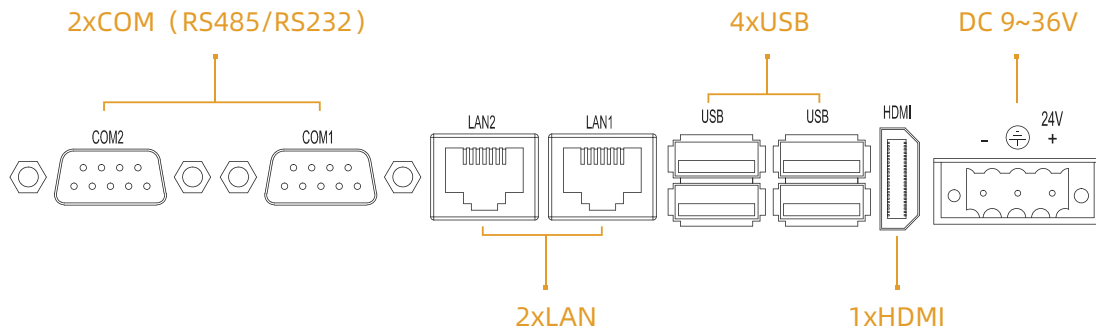
PANELMATE 18.5" WXGA Industrial Arm-Mounted Operation Panel PC

IPC50185 & IPC51185 & IPC52185

Technical Drawings unit: mm



External I/O View



Note: The figure above shows the number of standard buttons. The number and brand of buttons can be customized.

Ordering Information

| Part Number | Description |
|------------------------|---|
| IPC50185-6405K-4G-128G | 18.5" TFT LCD / Non-touch screen / extend 5 buttons / DC9~36V input / Resolution 1366x768 / J6412 / 4G RAM / 128G / mSATA / 2xLAN / 4xUSB / 1xHDMI |
| IPC51185-6405K-4G-128G | 18.5" TFT LCD / Capacitive touch screen / extend 5 buttons / DC9~36V input / Resolution 1366x768 / J6412 / 4G RAM / 128G / mSATA / 2xLAN / 4xUSB / 1xHDMI |
| IPC52185-6405K-4G-128G | 18.5" TFT LCD / Resistive touch screen / extend 5 buttons / DC9~36V input / Resolution 1366x768 / J6412 / 4G RAM / 128G / mSATA / 2xLAN / 4xUSB / 1xHDMI |

Optional Accessories

| | |
|----------|-------------------------|
| mSATA | 128G / 256G / 512G / 1T |
| 2.5" HDD | 512G / 1T / 2T |
| RAM | 4G / 8G / 16G / 32G |

Packing List

| | |
|----------|-----------------|
| Terminal | 3-pin terminal |
| Terminal | 12-pin terminal |
| Terminal | 24-pin terminal |

Note: Package contents are subject to change without prior notice

Powerful. Beautiful.

Excellence · Innovation

IPC57190

IPC58190

IPC59190



*front-screen button: the right side. widescreen button: the lower side

Shanghai Panelmate Electronics Co., Ltd.

19" SXGA Industrial Arm-Mounted Operation Panel PC

IPC57190 & IPC58190 & IPC59190

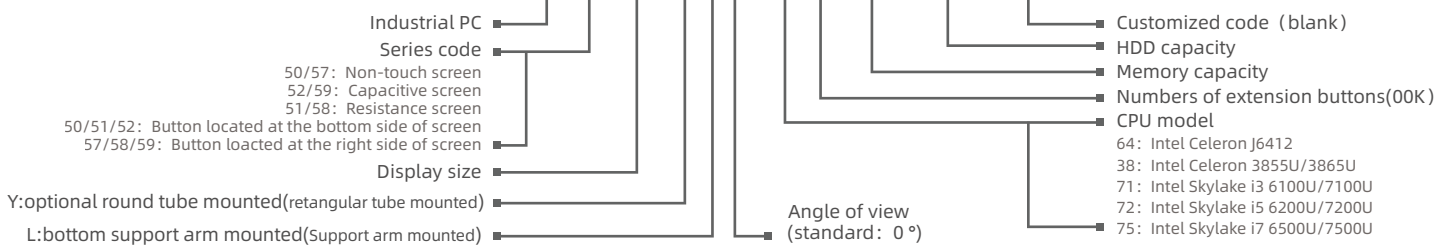


Features

- Display type: 15", 15.6", 18.5", 19", 21.5"
- Front panel/back cover: Aluminium-magnesium alloy
- IP protection level: IP65
- Screen Type: Single point resistive touchscreen, Multi-point capacitive touchscreen, Non-touch screen
- OS: WinXP, Win7, Win10/Win11, WinCE, Linux
- Equipped with 2xIntel i210AT Gigabit network cards, 4xUSB
- Processor: Intel Celeron J6412 (don't support Win XP, Win7) /3855U/3865U and Intel skylake i3/i5/i7 multiple CPU options
- DC 9~36V
- Extendable WIFI/4G

Namely Rule

IPC5XXXX Y L X -xxxK-4G-128G-xxxx

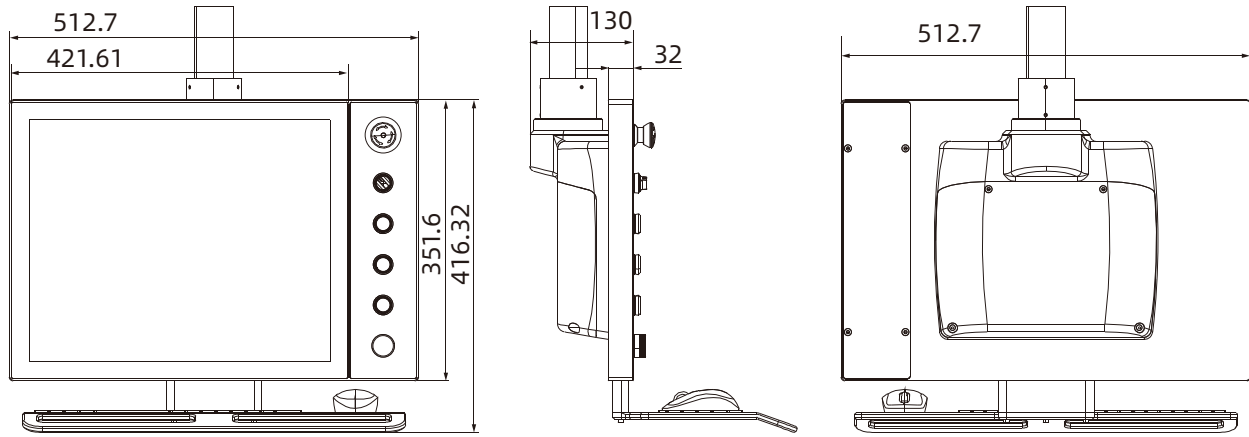


Specifications

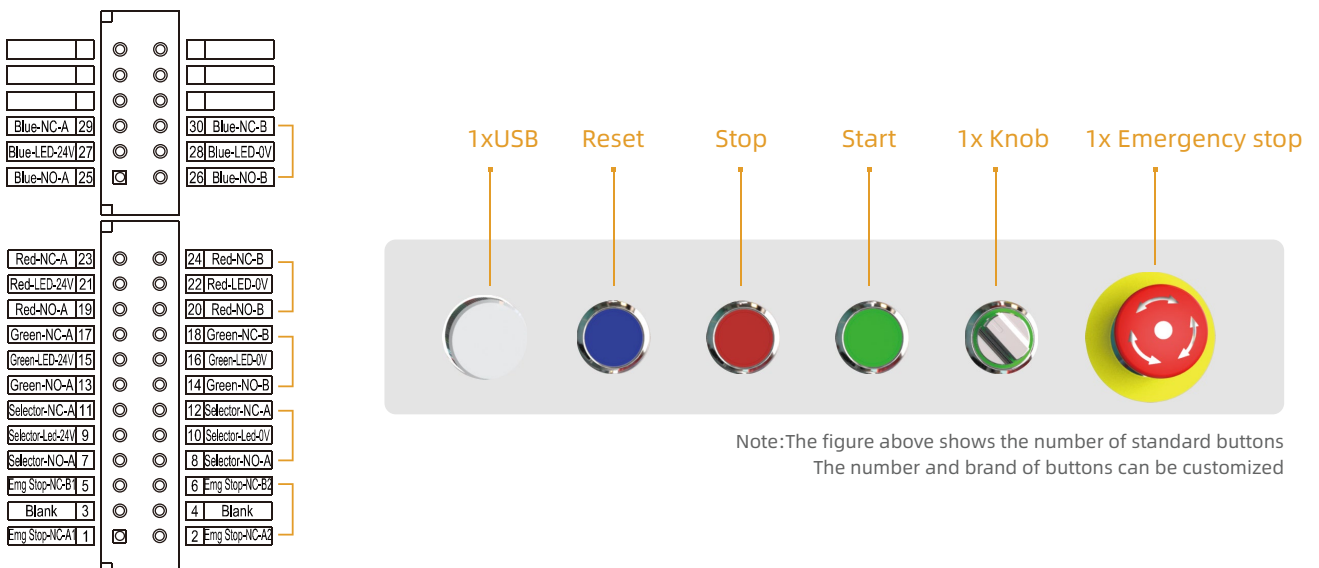
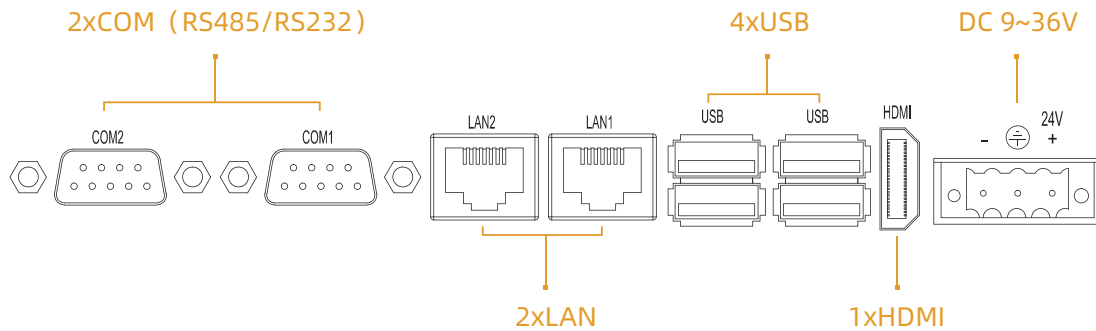
| Model | IPC57190&IPC58190&IPC59190 | | | | | |
|------------------------|----------------------------|---|-------------------------------------|-------------------------|-------------------------|-------------------------|
| Processor | CPU | Intel®Celeron® processor J6412 | Intel®Celeron® processor 3855U/3865 | Intel®Core™i3 processor | Intel®Core™i5 processor | Intel®Core™i7 processor |
| | Frequency | Quad Core 2.0GHZ | Dual Core 1.6GHZ | Dual Core 2.3GHZ | Dual Core 2.8GHZ | Dual Core 3.1GHZ |
| | Cache | 1.5MB | 2MB | 3MB | 3MB | 4MB |
| | Memory | DDR4 3200MT/s Max: 32GB | DDR4-1866/2133 Max: 32GB | DDR4-2133 Max: 32GB | DDR4-2133 Max: 32GB | DDR4-2133 Max: 32GB |
| | Storage | 1x2.5" SATA 3.0 +1 x mSATA | | | | |
| I/O | Network (LAN) | 2xIntel i210 1000Mbps RJ45 with surge protection | | | | |
| | Audio | Realtek ALC662VD audio controller, support 5.1 channels | | | | |
| | USB | 4xUSB3.0 | | | | |
| | COM | 2xRS232/RS485 with surge protection, RS485 support automatic flow control | | | | |
| | Expansion Slot | 1xMin-Pcie X1, Support 4G LTE/WIFI/BT with Sim card slot | | | | |
| Power | Rear I/O | 1xHDMI/2xGLAN/4xUSB/2xCOM/AUDIO/DC IN/Power Switch | | | | |
| | Input Voltage | DC 9~36V | | | | |
| Physical | Power | 39W | | | | |
| | Display Port | HDMI | | | | |
| | Dimension (WxHxD) | (Keyboard bay not included) 512.7mm x 351.6mm x 130mm (20.19" x 13.84" x 5.12") | | | | |
| | Net Weight(kg) | (Keyboard bay not included) 13.3kg | | | | |
| | Mounted | 4460 or 48 arm-mounted | | | | |
| LCD | Display Type | 19" SXGA TFT | | | | |
| | Resolution | 1280x1024 | | | | |
| | Colors | 16.7M | | | | |
| | Active Area (WxH/mm) | 376.32mmx301.06mm (14.82"x11.85") | | | | |
| | Backlight | LED | | | | |
| | MTBF (hour) | 30000hrs | | | | |
| | Pixel Pitch (HxV) | 0.294x0.294 | | | | |
| | Luminance(cd/m2) | 250cd/m2 | | | | |
| | Contrast Ratio | 1000:1 | | | | |
| | Viewing Angle | (L) 85/ (R) 85/ (U) 80/ (D) 80 | | | | |
| Touchscreen | Touch Type | Single point resistive touchscreen & Multi-point capacitive touchscreen & Non-touch screen | | | | |
| | Light Transmission | >85% | | | | |
| | Controller | USB interface | | | | |
| | Driver Support | Windows7, WSE7, Windows 10, Vxworks, Linux | | | | |
| | Multi-touch | 10 points | | | | |
| Environment | Surface Hardness | Resistive touchscreen: Mohs' Number >= 3H; Capacitive touchscreen: Mohs' Number 7H | | | | |
| | Operating Temperature | 0~50°C | | | | |
| | Storage Temperature | -20~60°C | | | | |
| | Relative Humidity | 5~95% (Non condensation) | | | | |
| | Shock | Operating 10G peak acceleration(11 ms duration), follow IEC 60068-2-27 | | | | |
| | Vibration | Operating Random Vibration Test 5~500Hz, 1Grms@with HDD;2Grms@with SSD, follow IEC 60068-2-64 | | | | |
| | EMC | CE/FCC Class A | | | | |
| Front Panel Protection | IP65 | | | | | |

IPC57190 & IPC58190 & IPC59190

Technical Drawings unit: mm



External I/O View



Ordering Information

| Part Number | Description |
|------------------------|--|
| IPC57190-6405K-4G-128G | 19" TFT LCD / Non-touch screen / extend 5 buttons / DC9~36V input / Resolution 1280x1024 / J6412 / 4G RAM / 128G / mSATA / 2xLAN / 4xUSB / 1xHDMI |
| IPC58190-6405K-4G-128G | 19" TFT LCD / Capacitive touch screen / extend 5 buttons / DC9~36V input / Resolution 1280x1024 / J6412 / 4G RAM / 128G / mSATA / 2xLAN / 4xUSB / 1xHDMI |
| IPC59190-6405K-4G-128G | 19" TFT LCD / Resistive touch screen / extend 5 buttons / DC9~36V input / Resolution 1280x1024 / J6412 / 4G RAM / 128G / mSATA / 2xLAN / 4xUSB / 1xHDMI |

Optional Accessories

| | |
|----------|-------------------------|
| mSATA | 128G / 256G / 512G / 1T |
| 2.5" HDD | 512G / 1T / 2T |
| RAM | 4G / 8G / 16G / 32G |

Packing List

| | |
|----------|-----------------|
| Terminal | 3-pin terminal |
| Terminal | 12-pin terminal |
| Terminal | 24-pin terminal |

Note: Package contents are subject to change without prior notice

Powerful. Beautiful.

Excellence · Innovation

IPC50215

IPC51215

IPC52215



*front-screen button: the right side. widescreen button: the lower side

Shanghai Panelmate Electronics Co., Ltd.

21.5" FHD Industrial Arm-Mounted Operation Panel PC

PANELMATE
Creative HMI Solution

IPC50215 & IPC51215 & IPC52215

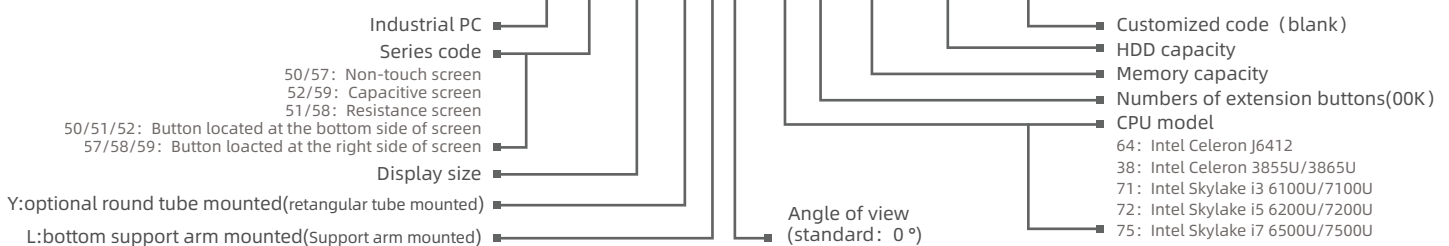


Features

- Display type: 15", 15.6", 18.5", 19", 21.5"
- Front panel/back cover: Aluminium-magnesium alloy
- IP protection level: IP65
- Screen Type: Single point resistive touchscreen, Multi-point capacitive touchscreen, Non-touch screen
- OS: WinXP, Win7, Win10/Win11, WinCE, Linux
- Equipped with 2xIntel i210AT Gigabit network cards, 4xUSB
- Processor: Intel Celeron J6412 (don't support Win XP, Win7) /3855U/3865U and Intel skylake i3/i5/i7 multiple CPU options
- DC 9~36V
- Extendable WIFI/4G

Namely Rule

IPC5XXXX Y L X -xxxK-4G-128G-xxxx

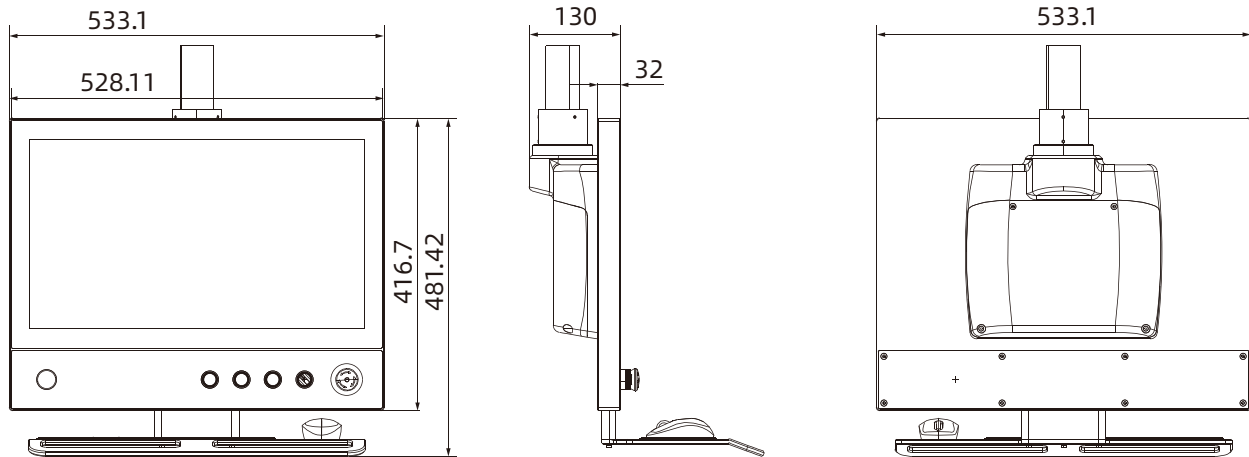


Specifications

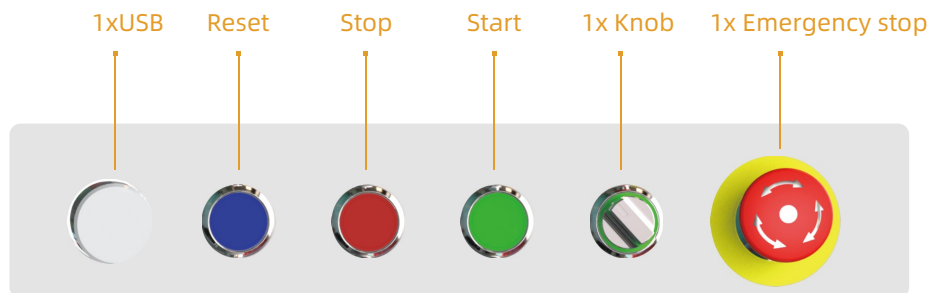
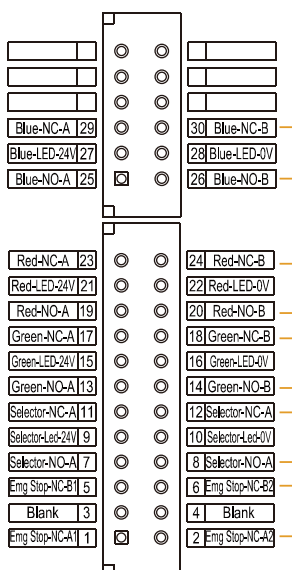
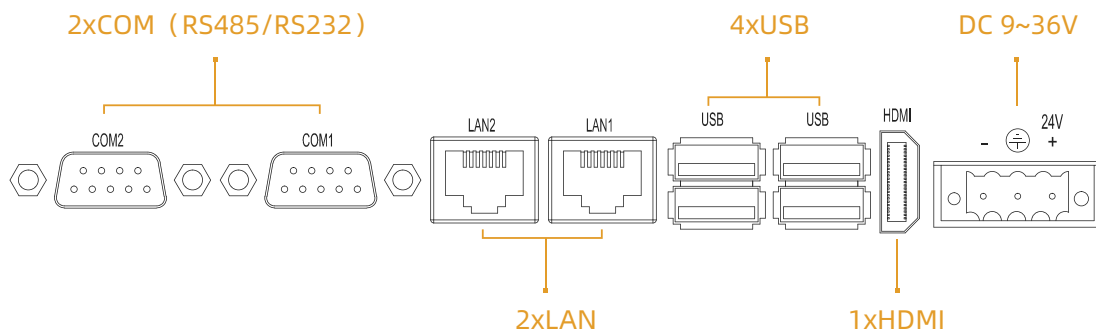
| Model | IPC50215&IPC51215&IPC52215 | | | | | | |
|------------------------|--|---|-------------------------------------|-------------------------|-------------------------|-------------------------|--|
| Processor | CPU | Intel®Celeron® processor J6412 | Intel®Celeron® processor 3855U/3865 | Intel®Core™i3 processor | Intel®Core™i5 processor | Intel®Core™i7 processor | |
| | Frequency | Quad Core 2.0GHZ | Dual Core 1.6GHZ | Dual Core 2.3GHZ | Dual Core 2.8GHZ | Dual Core 3.1GHZ | |
| | Cache | 1.5MB | 2MB | 3MB | 3MB | 4MB | |
| | Memory | DDR4 3200MT/s Max: 32GB | DDR4-1866/2133 Max: 32GB | DDR4-2133 Max: 32GB | DDR4-2133 Max: 32GB | DDR4-2133 Max: 32GB | |
| | Storage | 1x2.5" SATA 3.0 +1 x mSATA | | | | | |
| I/O | Network (LAN) | 2xIntel i210 1000Mbps RJ45 with surge protection | | | | | |
| | Audio | Realtek ALC662VD audio controller, support 5.1 channels | | | | | |
| | USB | 4xUSB3.0 | | | | | |
| | COM | 2xRS232/RS485 with surge protection, RS485 support automatic flow control | | | | | |
| | Expansion Slot | 1xMini-Pcie X1, Support 4G LTE/WIFI/BT with Sim card slot | | | | | |
| Rear I/O | 1xHDMI/2xGLAN/4xUSB/2xCOM/AUDIO/DC IN/Power Switch | | | | | | |
| Power | Input Voltage | DC 9~36V | | | | | |
| | Power | 45W | | | | | |
| Physical | Display Port | HDMI | | | | | |
| | Dimension (WxHxD) | (Keyboard bay not included) 533.1mm x 416.7mm x 130mm (20.99" x 16.41" x 5.12") | | | | | |
| | Net Weight(kg) | (Keyboard bay not included) 14.05kg | | | | | |
| | Mounted | 4460 or 48 arm-mounted | | | | | |
| | Display Type | 21.5" FHD TFT | | | | | |
| LCD | Resolution | 1920x1080 | | | | | |
| | Colors | 16.7M | | | | | |
| | Active Area (WxH/mm) | 476.64mmx268.11mm (18.77"x10.56") | | | | | |
| | Backlight | LED | | | | | |
| | MTBF (hour) | 30000hrs | | | | | |
| | Pixel Pitch (HxV) | 0.24825x0.24825 | | | | | |
| | Luminance(cd/m2) | 250cd/m2 | | | | | |
| | Contrast Ratio | 3000:1 | | | | | |
| | Viewing Angle | (L) 89/ (R) 89/ (U) 89/ (D) 89 | | | | | |
| Touchscreen | Touch Type | Single point resistive touchscreen & Multi-point capacitive touchscreen & Non-touch screen | | | | | |
| | Light Transmission | >85% | | | | | |
| | Controller | USB interface | | | | | |
| | Driver Support | Windows7, WSE7, Windows 10, Vxworks, Linux | | | | | |
| | Multi-touch | 10 points (Windows) | | | | | |
| Surface Hardness | Resistive touchscreen: Mohs' Number >= 3H; Capacitive touchscreen: Mohs' Number 7H | | | | | | |
| Environment | Operating Temperature | 0~50°C | | | | | |
| | Storage Temperature | -20~60°C | | | | | |
| | Relative Humidity | 5~95% (Non condensation) | | | | | |
| | Shock | Operating 10G peak acceleration(11 ms duration), follow IEC 60068-2-27 | | | | | |
| | Vibration | Operating Random Vibration Test 5~500Hz, 1Grms@with HDD;2Grms@with SSD, follow IEC 60068-2-64 | | | | | |
| EMC | CE/FCC Class A | | | | | | |
| Front Panel Protection | IP65 | | | | | | |

IPC50215 & IPC51215 & IPC52215

Technical Drawings unit: mm



External I/O View



Note: The figure above shows the number of standard buttons
The number and brand of buttons can be customized

Ordering Information

| Part Number | Description |
|------------------------|--|
| IPC50215-6405K-4G-128G | 21.5" TFT LCD / Non-touch screen / extend 5 buttons / DC9~36V input / Resolution 1920x1080 / J6412 / 4G RAM / 128G / mSATA / 2xLAN / 4xUSB / 1xHDMI |
| IPC51215-6405K-4G-128G | 21.5" TFT LCD / Capacitive touch screen / extend 5 buttons / DC9~36V input / Resolution 1920x1080 / J6412 / 4G RAM / 128G / mSATA / 2xLAN / 4xUSB / 1xHDMI |
| IPC52215-6405K-4G-128G | 21.5" TFT LCD / Resistive touch screen / extend 5 buttons / DC9~36V input / Resolution 1920x1080 / J6412 / 4G RAM / 128G / mSATA / 2xLAN / 4xUSB / 1xHDMI |

Optional Accessories

| | |
|----------|-------------------------|
| mSATA | 128G / 256G / 512G / 1T |
| 2.5" HDD | 512G / 1T / 2T |
| RAM | 4G / 8G / 16G / 32G |

Packing List

| | |
|----------|-----------------|
| Terminal | 3-pin terminal |
| Terminal | 12-pin terminal |
| Terminal | 24-pin terminal |

Note: Package contents are subject to change without prior notice

PANELMATE

Creative HMI Solution



Panelmate Türkiye Distribütörü
ICC Dijital Endüstriyel Teknolojiler Ltd. Şti.

 **+90 216 510 6696**

Osmangazi Mahallesi Atayolu Caddesi No:108 Gate Of Anatolia Ticari Blok Ofis 1
Sancaktepe / İstanbul / Türkiye